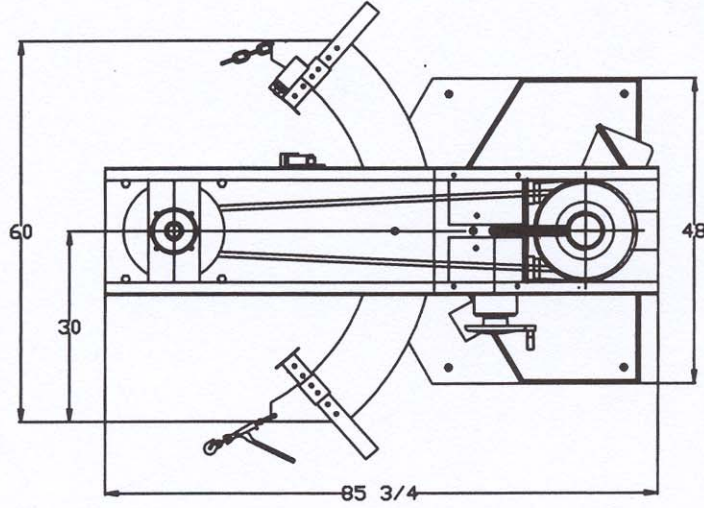
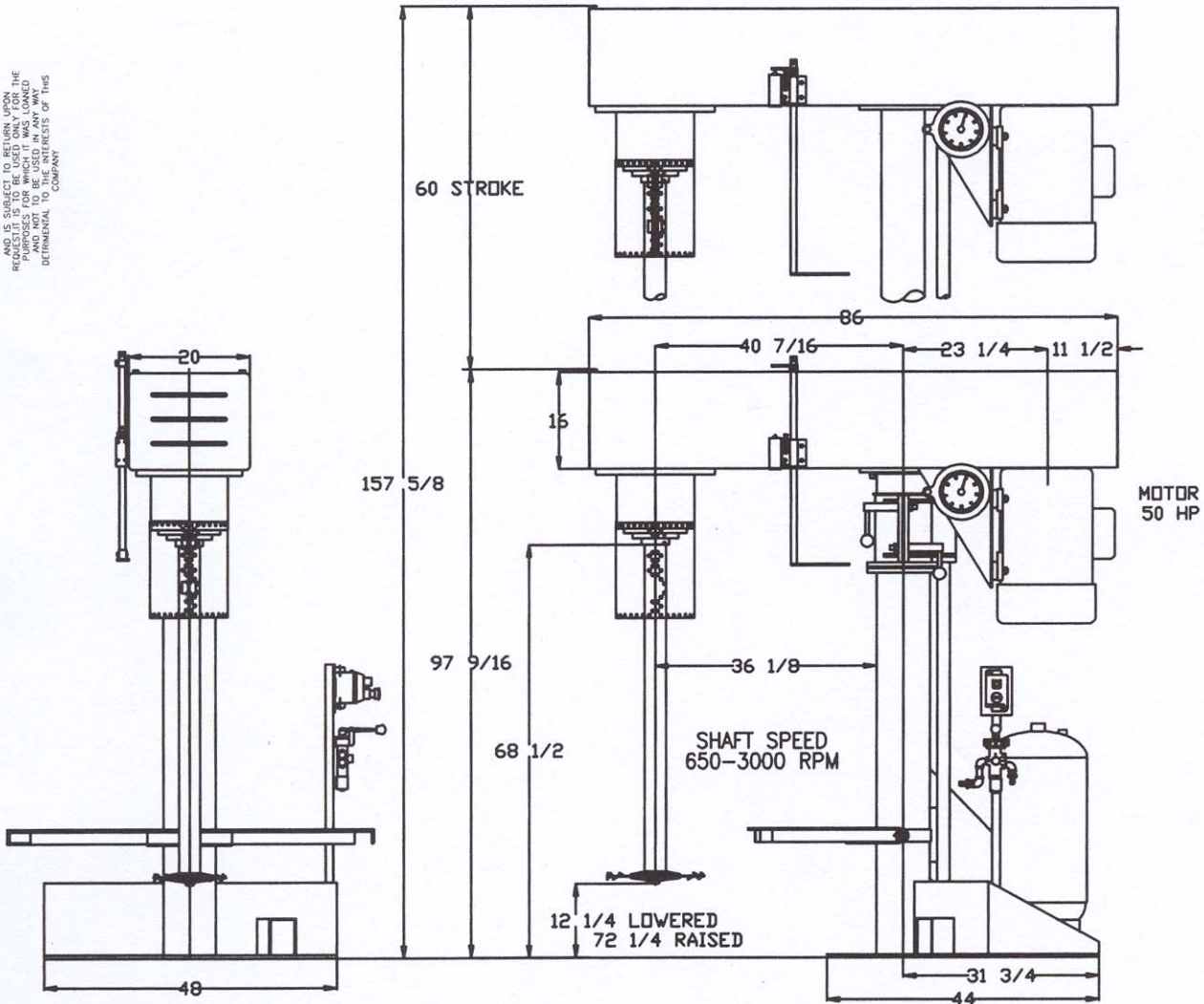


THIS DRAWING IS PROPERTY OF
 SCHOLD MACHINE
 AND IS SUBJECT TO RETURN UPON THE
 REQUEST IS TO BE USED ONLY FOR THE
 PURPOSES FOR WHICH IT WAS LOANED
 IN NO MANNER IS TO BE REPRODUCED OR
 DETRIMENTAL TO THE INTERESTS OF THIS
 COMPANY



SCALE: LIMITS OF TWO PLACE DECIMALS ARE
 1/16=1
 +1/64 UNLESS OTHERWISE SPECIFIED

DATE: 1-27-05 APPROVED BY: DRAWN BY: AM

SCHOLD MACHINE
 MIDWEST FACILITY - CHICAGO, IL

GENERAL LAYOUT

40-50-60 HP WMD 600

34799401 C

HIGHSPEED/600VTS/80337/GEN

THIS DRAWING IS PROPERTY OF
 SCHOLD MACHINE
 AND IS SUBJECT TO RETURN UPON THE
 REQUEST FOR WHICH IT WAS LOANED
 IN NO MANNER IS TO BE REPRODUCED OR
 DETRIMENTAL TO THE INTERESTS OF THIS
 COMPANY

DO NOT SCALE DRAWING
 BREAK ALL SHARP CORNERS UNLESS OTHERWISE SPECIFIED
 COUNTERSINK ALL TAPPED HOLES IN FINISHED SURFACES