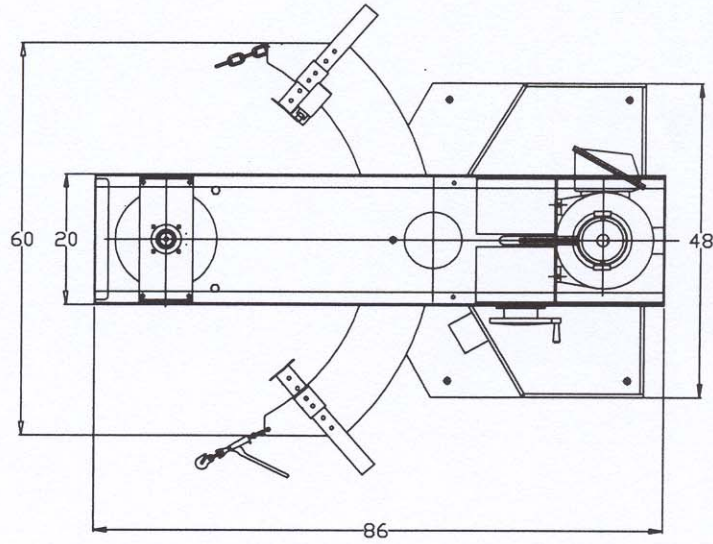


500 VMD



SCALE:	LIMITS OF TWO PLACE DECIMALS ARE	SIMILAR TO
1/4=1	+0.10 FRACTIONAL LIMITS ARE	
	+1/64 UNLESS OTHERWISE SPECIFIED	
DATE: 4-5-04	APPROVED BY:	DRAWN BY: AM
SCHOLD MACHINE MIDWEST FACILITY - CHICAGO, ILL.		
GENERAL LAYOUT		
HIGHSPEED/500VMS/BRKHEAD/PARTS	25 & 30 HP 500 VMD	1678-2-D
		C

THIS DRAWING IS PROPERTY OF SCHOLD MACHINE AND IS SUBJECT TO RETURN UPON REQUEST. IT IS NOT TO BE USED FOR REPRODUCTION OR FOR ANY PURPOSES FOR WHICH IT WAS LOANED AND NOT TO BE USED IN ANY WAY DETRIMENTAL TO THE INTERESTS OF THIS COMPANY.

DO NOT SCALE DRAWING. BREAK ALL SHARP CORNERS UNLESS SPECIFIED. COUNTERSINK ALL TAPPED HOLES IN FINISHED SURFACES.

THIS DRAWING IS PROPERTY OF SCHOLD MACHINE AND IS SUBJECT TO RETURN UPON REQUEST. IT IS NOT TO BE USED FOR REPRODUCTION OR FOR ANY PURPOSES FOR WHICH IT WAS LOANED AND NOT TO BE USED IN ANY WAY DETRIMENTAL TO THE INTERESTS OF THIS COMPANY.

