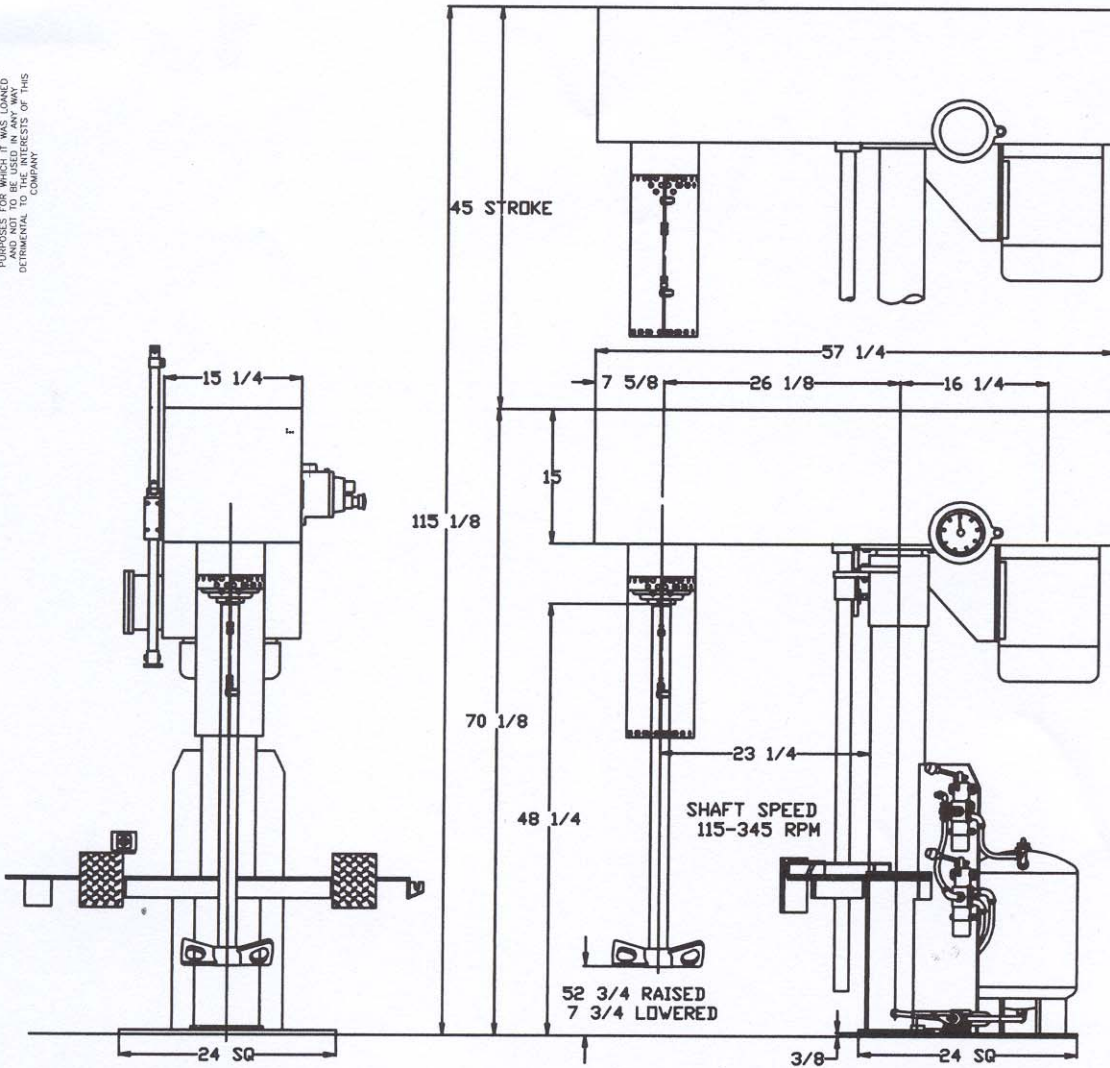
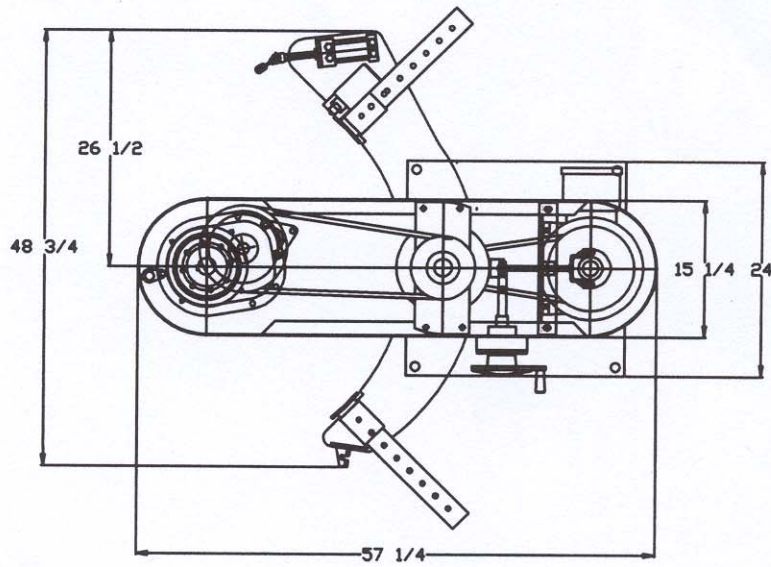


THIS DRAWING IS PROPERTY OF
 SCHOLD MACHINE
 AND IS SUBJECT TO RETURN UPON
 REQUEST. IT IS TO BE USED ONLY FOR THE
 PURPOSES FOR WHICH IT WAS LOANED
 AND NOT TO BE USED IN ANY WAY
 DETRIMENTAL TO THE INTERESTS OF THIS
 COMPANY.



MOTOR
 10 HP

SHAFT SPEED
 115-345 RPM

THIS DRAWING IS PROPERTY OF
 SCHOLD MACHINE
 AND IS SUBJECT TO RETURN UPON
 REQUEST. IT IS TO BE USED ONLY FOR THE
 PURPOSES FOR WHICH IT WAS LOANED
 AND NOT TO BE USED IN ANY WAY
 DETRIMENTAL TO THE INTERESTS OF THIS
 COMPANY.

DO NOT SCALE DRAWING
 BREAK ALL SHARP CORNERS UNLESS OTHERWISE SPECIFIED
 COUNTERSINK ALL TAPPED HOLES IN FINISHED SURFACES

SCALE: 1/8-1	LIMITS OF TWO PLACE DECIMALS ARE ± 0.10 FRACTIONAL LIMITS ARE +1/64 UNLESS OTHERWISE SPECIFIED	SIMILAR TO: 1-3-3
DATE: 1-19-04	APPROVED BY:	DRAWN BY: AM
		SCHOLD MACHINE MIDWEST FACILITY CHICAGO, ILL.
GENERAL LAYOUT		
10 HP 300 VLS DISPENSER	3001-D	REV
LOWSPD/300VLS/GEN		