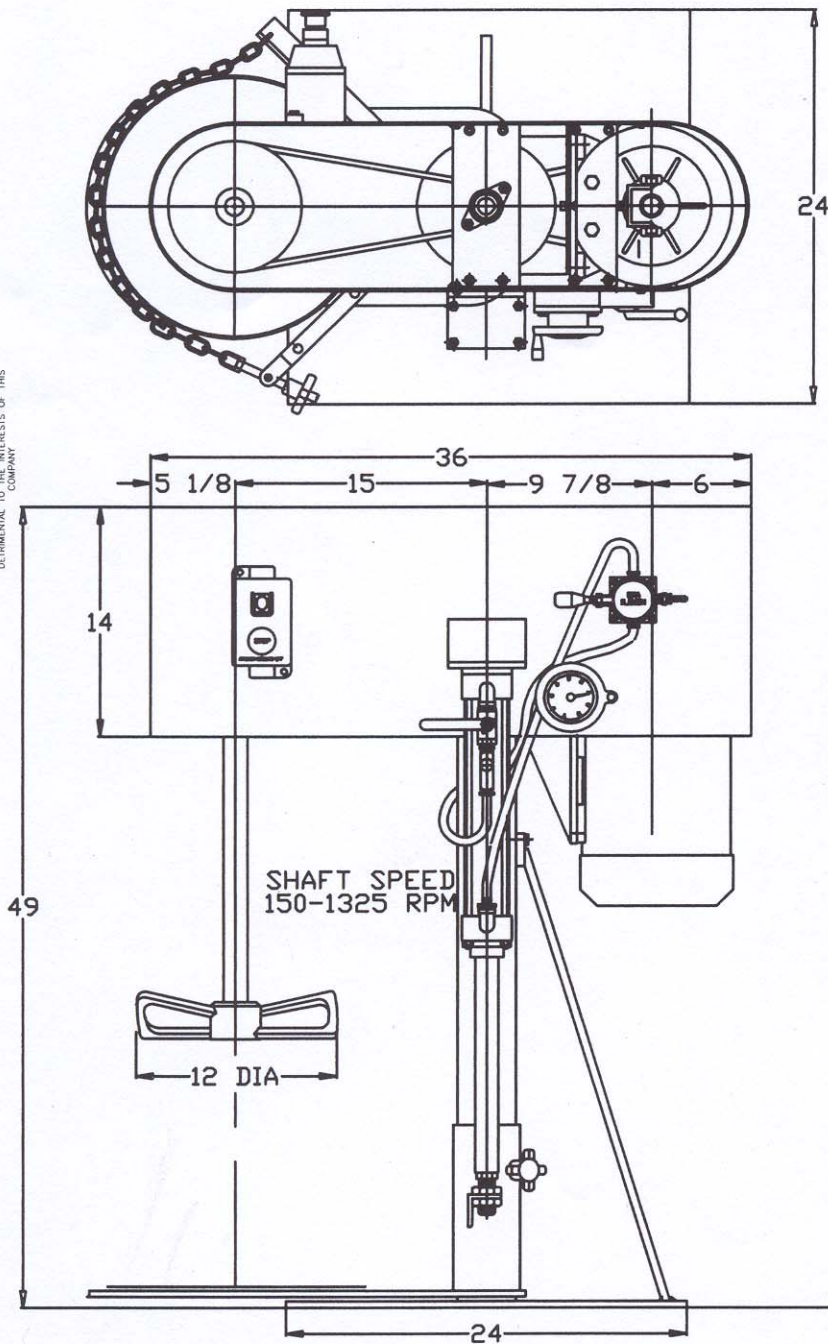



THIS DRAWING IS PROPERTY OF  
 SCHOLD MACHINE COMPANY  
 AND IS SUBJECT TO THE FOLLOWING  
 REQUEST IT IS TO BE USED ONLY FOR THE  
 PURPOSES FOR WHICH IT WAS LOANED  
 AND NOT TO BE USED IN ANY WAY  
 DETRIMENTAL TO THE INTERESTS OF THIS  
 COMPANY



SHAFT SPEED  
 150-1325 RPM

SCALE: 1/4 = 1	LIMITS OF TWO PLACE DECIMALS ARE +1/64 UNLESS OTHERWISE SPECIFIED	SIMILAR TO: FLORIDA
DATE: 9-02-03	APPROVED BY:	DRAWN BY: AM
 <b>SCHOLD MACHINE</b> MIDWEST FACILITY CHICAGO, IL		
GENERAL LAYOUT		
200 VLS		F1415C
SLOWSPD/200VLS/7959/GENERAL		REV A

THIS DRAWING IS PROPERTY OF  
 SCHOLD MACHINE  
 AND IS SUBJECT TO RETURN UPON THE  
 PURPOSES FOR WHICH IT WAS LOANED  
 AND NOT TO BE USED IN ANY WAY  
 DETRIMENTAL TO THE INTERESTS OF THIS  
 COMPANY

DO NOT SCALE DRAWING  
 BREAK ALL SHARP CORNERS UNLESS OTHERWISE SPECIFIED  
 COUNTERSINK ALL TAPPED HOLES IN FINISHED SURFACES