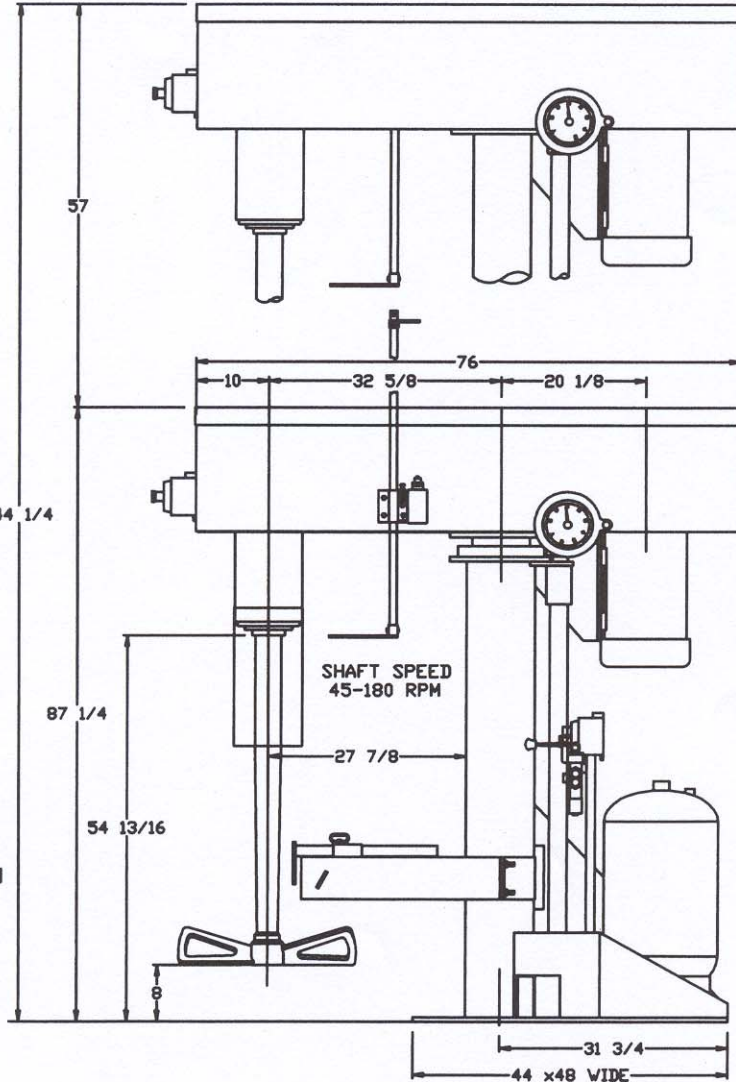
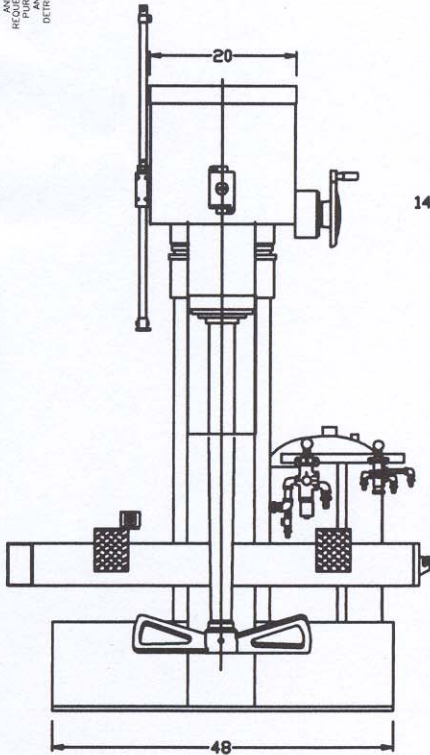
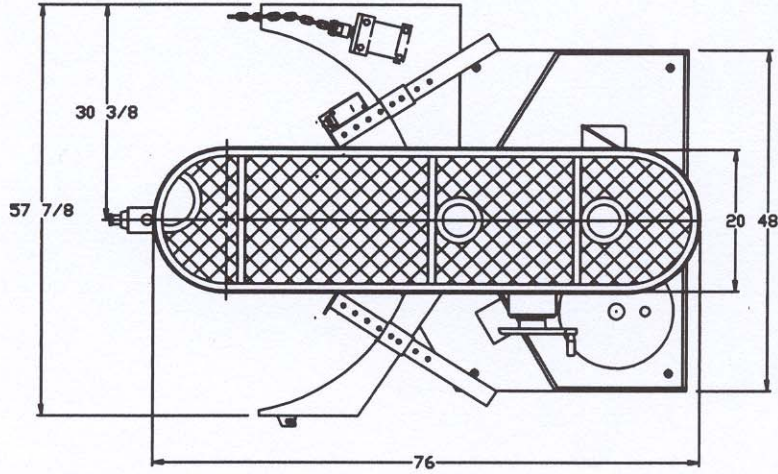


THIS DRAWING IS PROPERTY OF
 SCHOLD MACHINE
 AND IS SUBJECT TO RETURN UPON
 REQUEST. IT IS TO BE USED ONLY FOR THE
 PURPOSES FOR WHICH IT WAS
 DESIGNED AND NOT TO BE USED IN ANY WAY
 DETRIMENTAL TO COMPANY.



MOTOR
 15 HP

SHAFT SPEED
 45-180 RPM



SCALE: 1" = 1'0"
 LIMITS OF TWO PLACE DECIMALS ARE
 +.01 FRACTIONAL LIMITS ARE
 +.1/64 UNLESS OTHERWISE SPECIFIED

DATE: 9-10-98 APPROVED BY:

DRAWN BY: AM
 SCHOLD MACHINE
 MIDWEST FACILITY CHICAGO, IL

GENERAL LAYOUT

15 HP VLS
 B5808-2
 REV

THIS DRAWING IS PROPERTY OF
 SCHOLD MACHINE
 AND IS SUBJECT TO RETURN UPON
 REQUEST. IT IS TO BE USED ONLY FOR THE
 PURPOSES FOR WHICH IT WAS
 DESIGNED AND NOT TO BE USED IN ANY WAY
 DETRIMENTAL TO COMPANY.

DO NOT SCALE DRAWING
 BREAK ALL SHARP CORNERS UNLESS OTHERWISE SPECIFIED
 COUNTERSINK ALL TAPPED HOLES IN FINISHED SURFACES