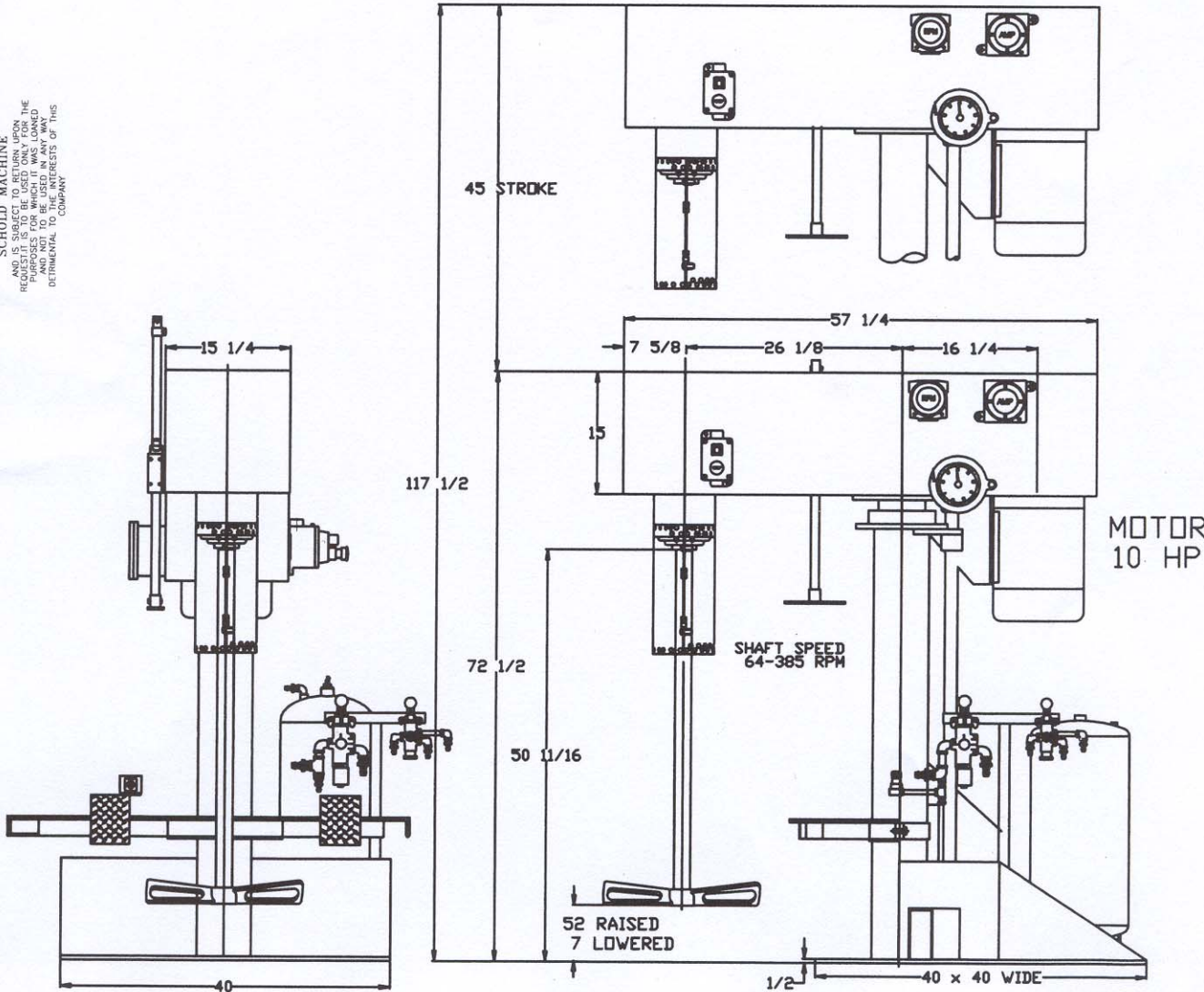
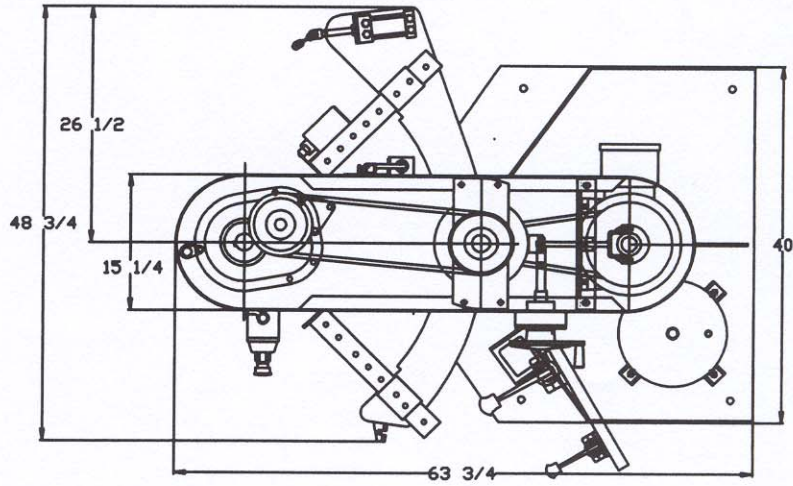



THIS DRAWING IS PROPERTY OF
 SCHOLD MACHINE
 AND IS SUBJECT TO RETURN UPON THE
 REQUEST OF THE USER FOR ANY
 PURPOSES FOR WHICH IT WAS LOANED,
 AND NOT TO BE USED IN ANY WAY
 DETRIMENTAL TO THE INTERESTS OF THIS
 COMPANY.



SCALE:	LIMITS OF TWO DECADE REVISIONS ARE 1/8=1 +1/64 UNLESS OTHERWISE SPECIFIED	SIMILAR TO:
DATE:	11-7-05	DRAWN BY: AM
 SCHOLD MACHINE MIDWEST FACILITY CHICAGO, ILL.		REV
GENERAL LAYOUT		410104
10 HP VLS DISPENSER		
TWS/SP7/AM/MS/RS/AFN		

THIS DRAWING IS PROPERTY OF
 SCHOLD MACHINE
 AND IS SUBJECT TO RETURN UPON THE
 REQUEST OF THE USER FOR ANY
 PURPOSES FOR WHICH IT WAS LOANED,
 AND NOT TO BE USED IN ANY WAY
 DETRIMENTAL TO THE INTERESTS OF THIS
 COMPANY.

DO NOT SCALE DRAWING
 BREAK ALL SHARP CORNERS UNLESS OTHERWISE SPECIFIED
 COUNTERBORN ALL TAPPED HOLES IN FINISHED SURFACES