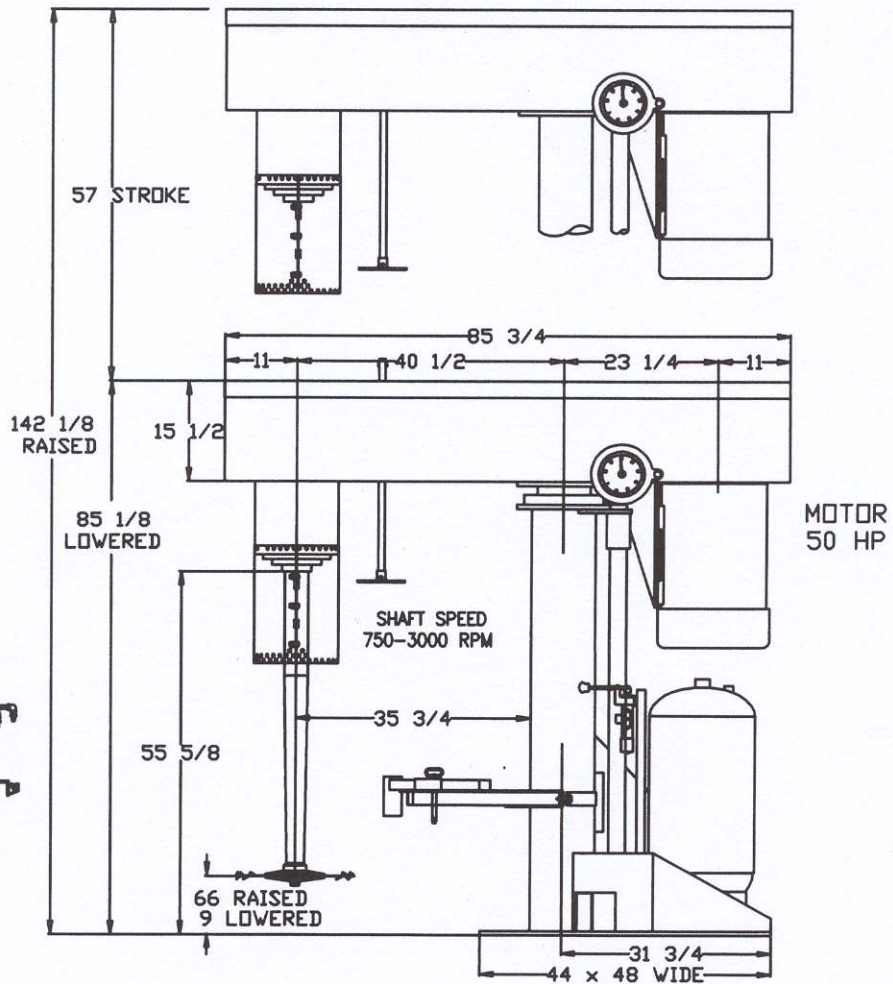
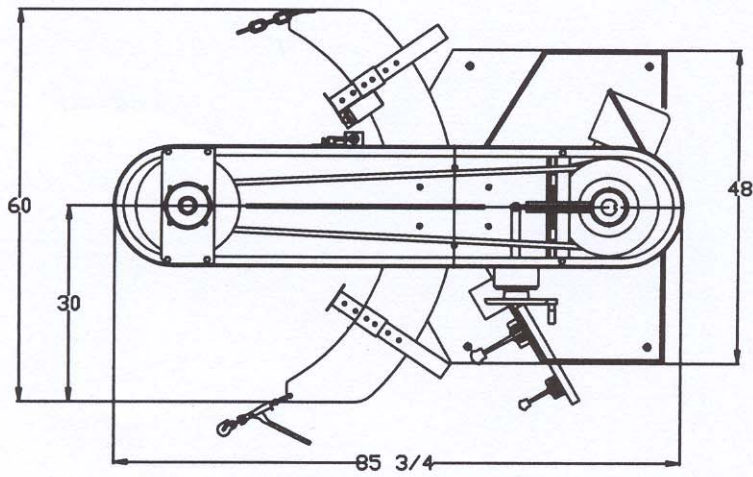
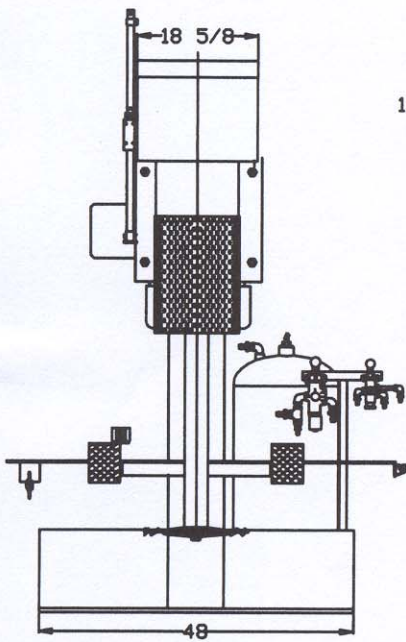



THIS DRAWING IS PROPERTY OF  
 SCHOLD MACHINE  
 COMPANY. IT IS TO BE RETURNED UPON  
 REQUEST TO THE COMPANY FOR THE  
 PURPOSES FOR WHICH IT WAS LOANED.  
 IT IS NOT TO BE REPRODUCED OR  
 TRANSMITTED IN ANY FORM OR BY  
 ANY MEANS, ELECTRONIC OR MECHANICAL,  
 INCLUDING PHOTOCOPYING, RECORDING,  
 OR BY ANY INFORMATION STORAGE AND  
 RETRIEVAL SYSTEM, WITHOUT THE  
 WRITTEN PERMISSION OF THE  
 COMPANY.



SCALE: 1/16" = 1"	LIMITS OF TWO PLACE DECIMALS ARE TO BE USED UNLESS OTHERWISE SPECIFIED	SIMILAR TO:
DATE: 8-26-38	APPROVED BY:	DRAWN BY: AM
 SCHOLD MACHINE MIDWEST FACILITY CHICAGO, ILL.		
GENERAL LAYOUT		
40-50-80 HP W/S		D5571-2
HIGHSPD 60HP/GEN		

THIS DRAWING IS PROPERTY OF  
 SCHOLD MACHINE  
 COMPANY. IT IS TO BE RETURNED UPON  
 REQUEST TO THE COMPANY FOR THE  
 PURPOSES FOR WHICH IT WAS LOANED.  
 IT IS NOT TO BE REPRODUCED OR  
 TRANSMITTED IN ANY FORM OR BY  
 ANY MEANS, ELECTRONIC OR MECHANICAL,  
 INCLUDING PHOTOCOPYING, RECORDING,  
 OR BY ANY INFORMATION STORAGE AND  
 RETRIEVAL SYSTEM, WITHOUT THE  
 WRITTEN PERMISSION OF THE  
 COMPANY.

DO NOT SCALE DRAWING  
 BREAK ALL SHARP CORNERS UNLESS OTHERWISE SPECIFIED  
 COUNTERSINK ALL TAPPED HOLES IN FINISHED SURFACES