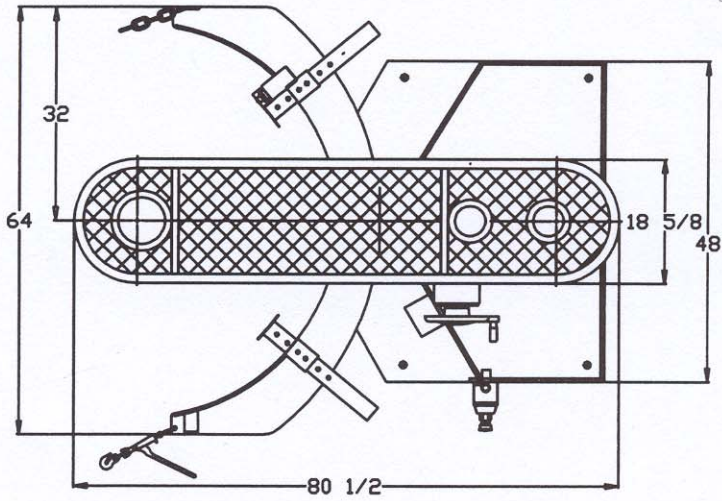
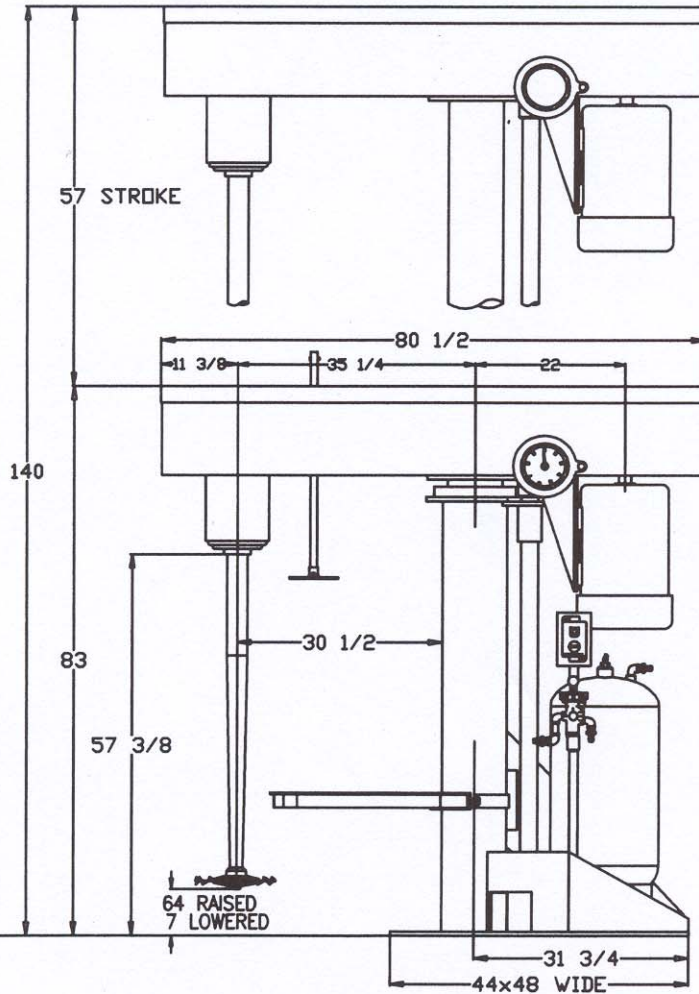
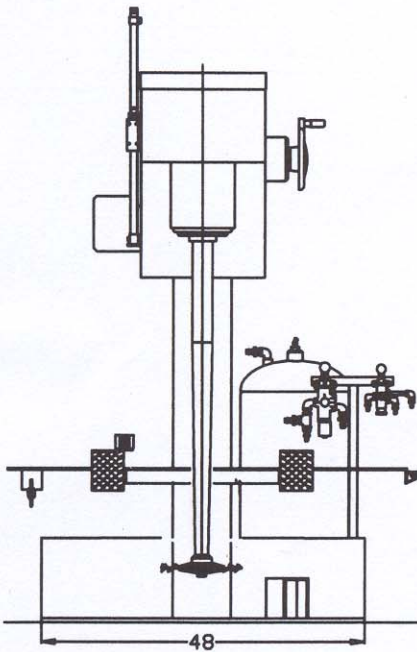



THIS DRAWING IS PROPERTY OF  
 SCHOLD MACHINE  
 AND IS SUBJECT TO RETURN UPON  
 REQUEST TO BE USED ONLY FOR THE  
 PURPOSES FOR WHICH IT WAS LOANED.  
 IT IS NOT TO BE USED IN ANY WAY  
 DETRIMENTAL TO THE INTERESTS OF THIS  
 COMPANY



THIS DRAWING IS PROPERTY OF  
 SCHOLD MACHINE  
 AND IS SUBJECT TO RETURN UPON  
 REQUEST TO BE USED ONLY FOR THE  
 PURPOSES FOR WHICH IT WAS LOANED  
 AND NOT TO BE USED IN ANY WAY  
 DETRIMENTAL TO COMPANY INTERESTS OF THIS  
 COMPANY

DO NOT SCALE DRAWING  
 BREAK ALL SHARP CORNERS UNLESS OTHERWISE SPECIFIED  
 COUNTERSINK ALL TAPPED HOLES IN FINISHED SURFACES

SCALE:	LIMITS OF TWO PLACE DECIMALS ARE SIMILAR TO: +0.010 FRACTIONAL LIMITS ARE 1/8=1 +1/64 UNLESS OTHERWISE SPECIFIED
DATE:	7-26-99
APPROVED BY:	
DRAWN BY:	AM
 <b>SCHOLD MACHINE</b> MIDWEST FACILITY CHICAGO, IL	
GENERAL LAYOUT (LARGE BASE)	
HIGH 30HP\GEN_LRG	25-30 HP VHS 500
	B5532
	REV A