
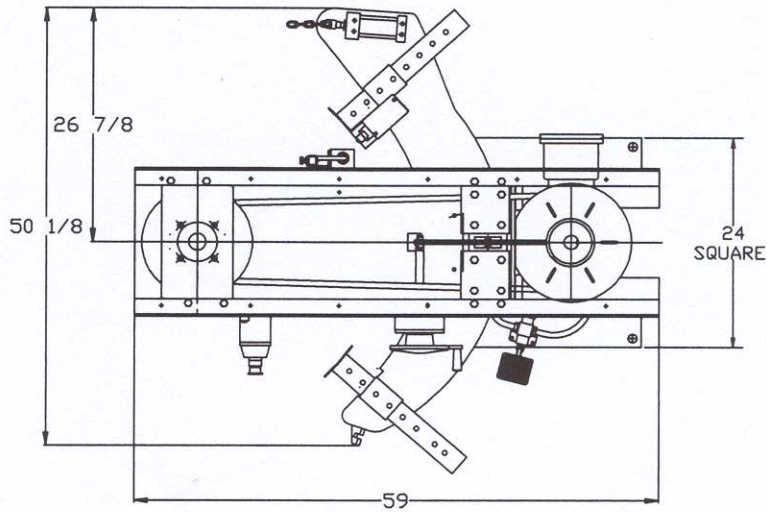


400 VHS

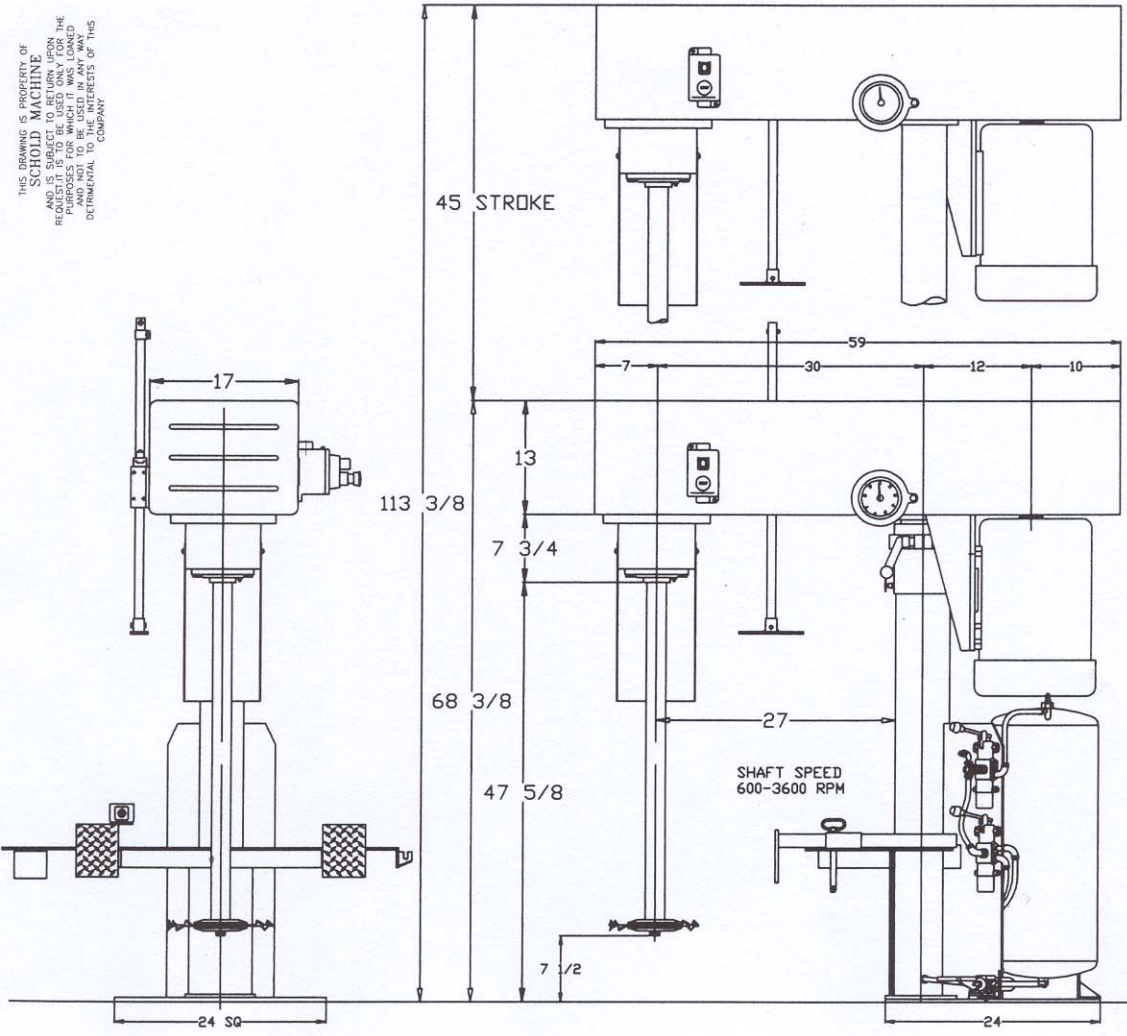
SCALE:	LIMITS OF TWO PLACE DECIMALS ARE 1/8=1	SIMILAR TO:
DATE:	8-18-06	APPROVED BY:
LIMITS OF TWO PLACE DECIMALS ARE +0.00 FRACTIONAL LIMITS ARE +1/64 UNLESS OTHERWISE SPECIFIED		DRAWN BY: AM
 SCHOLD MACHINE MIDWEST FACILITY - CHICAGO, ILL.		
GENERAL LAYOUT		
20 HP 400 VHS DISPENSER		3201001
HIGH SPEED / 15-20HP / GEN / 400VHS / BROKHEAD / GEN		REV



THIS DRAWING IS PROPERTY OF
SCHOLD MACHINE
AND IS SUBJECT TO RETURN UPON
REQUEST. IT IS TO BE USED ONLY FOR THE
PURPOSES FOR WHICH IT WAS
DESIGNED AND NOT TO BE USED IN ANY WAY
DETRIMENTAL TO THE INTERESTS OF THIS
COMPANY.

DO NOT SCALE DRAWING
BREAK ALL SWAMP CORNERS UNLESS OTHERWISE SPECIFIED
COUNTERSINK ALL TAPPED HOLES IN FINISHED SURFACES

THIS DRAWING IS PROPERTY OF
SCHOLD MACHINE
AND IS SUBJECT TO RETURN UPON
REQUEST. IT IS TO BE USED ONLY FOR THE
PURPOSES FOR WHICH IT WAS
DESIGNED AND NOT TO BE USED IN ANY WAY
DETRIMENTAL TO THE INTERESTS OF THIS
COMPANY.



MOTOR
20 HP

SHAFT SPEED
600-3600 RPM