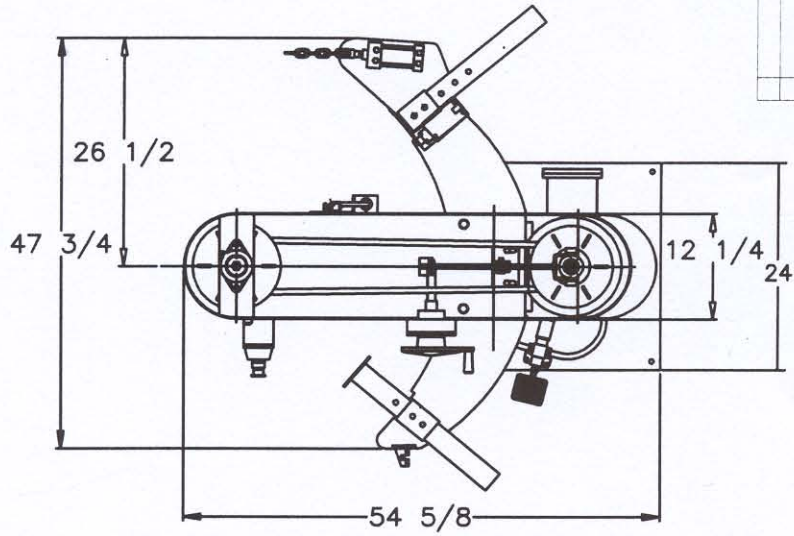



THIS DRAWING IS PROPERTY OF
 SCHOLD MACHINE COMPANY
 AND IS SUBJECT TO PATENT
 RIGHTS. IT IS TO BE USED ONLY FOR THE
 PURPOSES FOR WHICH IT WAS LOANED
 AND NOT TO BE USED IN ANY WAY
 DETRIMENTAL TO THE INTERESTS OF THIS
 COMPANY



SCALE:	LIMITS OF TWO PLACE DECIMALS ARE 1/8 = 1 +1/64 UNLESS OTHERWISE SPECIFIED	SIMILAR TO
DATE:	5-18-04	APPROVED BY:
 SCHOLD MACHINE MIDWEST FACILITY - CHICAGO, IL		DRAWN BY: AM
GENERAL LAYOUT		
10 HP 300 VHS DISPENSER		300D-5
HIGHSPD/300VHS/GEN		REV

THIS DRAWING IS PROPERTY OF
 SCHOLD MACHINE
 AND IS SUBJECT TO RETURN UPON THE
 PURPOSES FOR WHICH IT WAS LOANED
 AND NOT TO BE USED IN ANY WAY
 DETRIMENTAL TO THE INTERESTS OF THIS
 COMPANY

DO NOT SCALE DRAWING
 BREAK ALL SHARP CORNERS UNLESS OTHERWISE SPECIFIED
 COUNTERSINK ALL TAPPED HOLES IN FINISHED SURFACES

