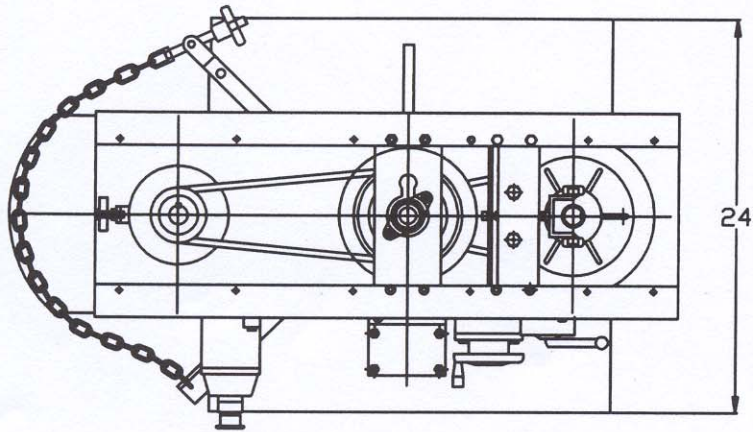
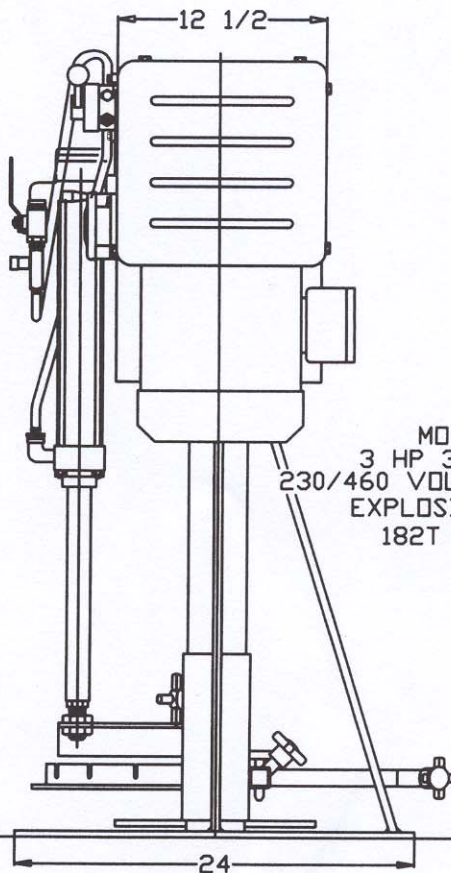
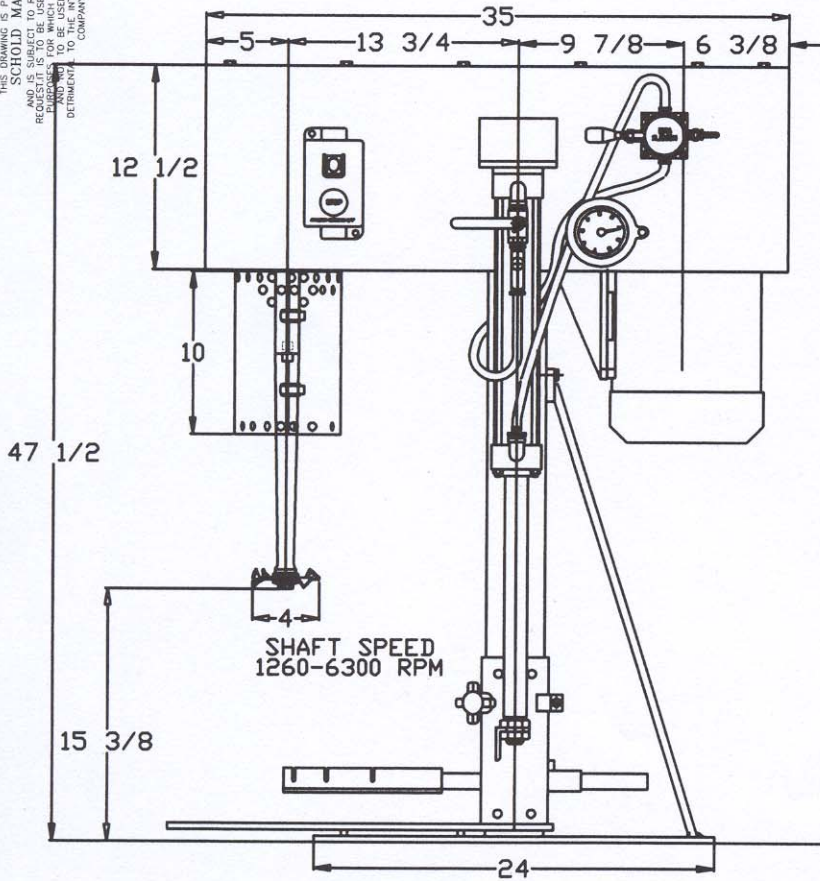


THIS DRAWING IS PROPERTY OF
SCHOLD MACHINE
AND IS SUBJECT TO RETURN UPON
REQUEST. IT IS TO BE USED ONLY FOR THE
PURPOSES FOR WHICH IT WAS LOANED
AND NOT BE USED IN ANY WAY
DETRIMENTAL TO THE INTERESTS OF THIS
COMPANY




24



MOTOR
3 HP 3600 RPM
230/460 VOLT 3 Ph 60 Hz
EXPLOSION PROOF
182T FRAME

THIS DRAWING IS PROPERTY OF
SCHOLD MACHINE
AND IS SUBJECT TO RETURN UPON
REQUEST FOR WHICH IT WAS LOANED
AND NOT BE USED IN ANY WAY
DETRIMENTAL TO THE INTERESTS OF THIS
COMPANY

DO NOT SCALE DRAWING
BREAK ALL SHARP CORNERS UNLESS OTHERWISE SPECIFIED
COUNTERSINK ALL TAPPED HOLES IN FINISHED SURFACES

SCALE:	LIMITS OF TWO PLACE DECIMALS ARE 0 TO .005 UNLESS OTHERWISE SPECIFIED	SIMILAR TO: FLORIDA
DATE:	9-02-03	APPROVED BY: DRAWN BY:AM
 SCHOLD MACHINE MIDWEST FACILITY CHICAGO, ILL.		
GENERAL LAYOUT		
	200 VHS	F1415C
	SLOWSPD/200VHS/8133/GENERAL	REV