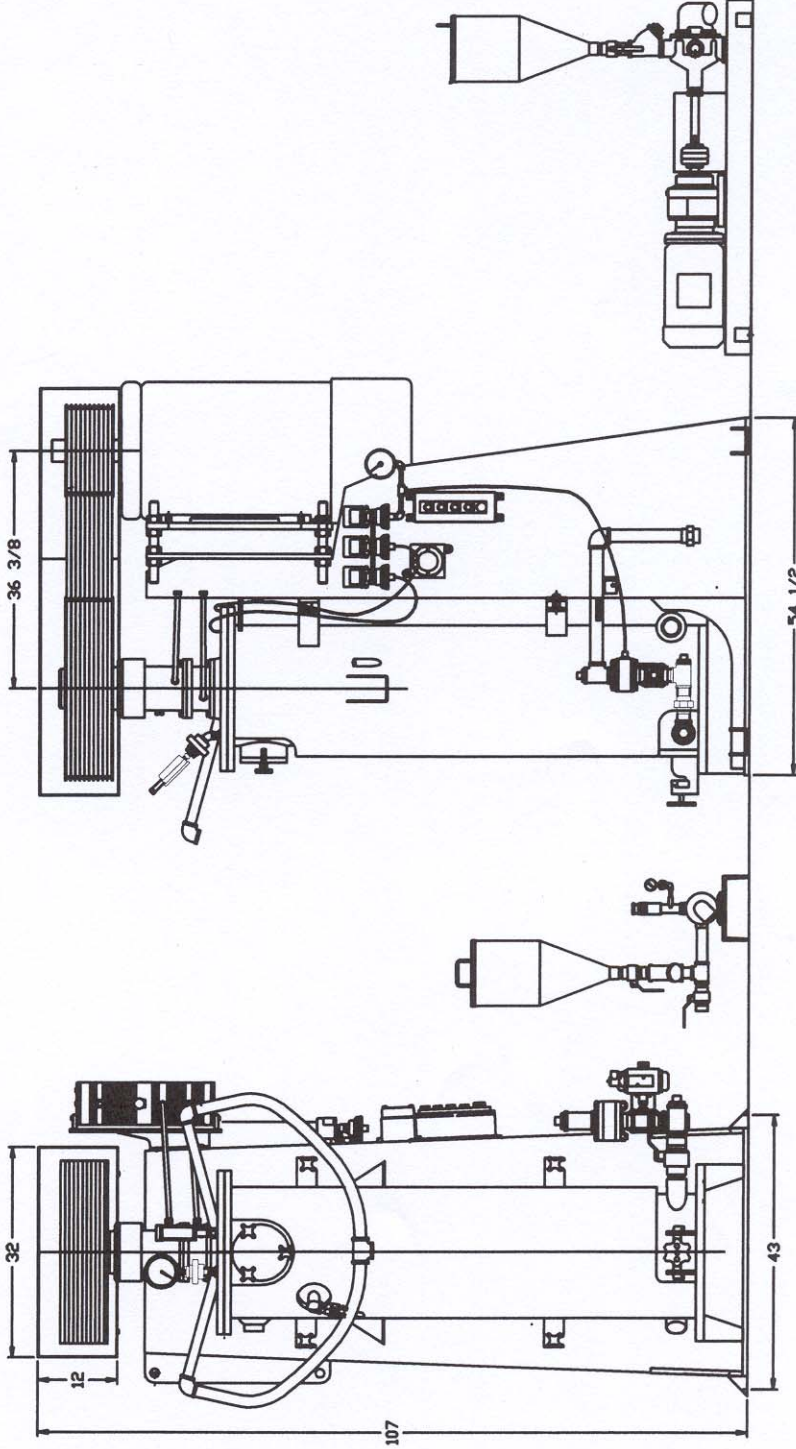
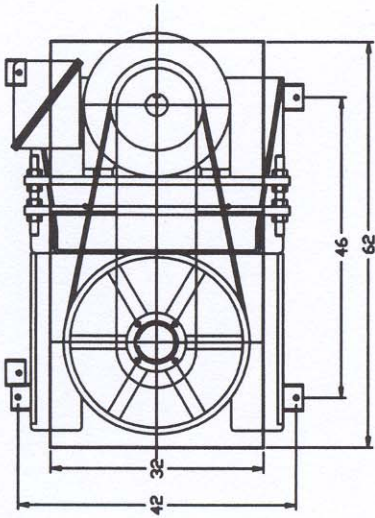
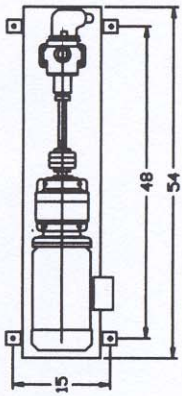


THIS DRAWING IS PROPERTY OF  
 SCHOLD MACHINE  
 AND IS SUBJECT TO RETURN UPON  
 REQUEST. IT IS TO BE USED ONLY FOR THE  
 PURPOSES FOR WHICH IT WAS LOANED  
 AND NOT TO BE USED IN ANY WAY  
 DETRIMENTAL TO THE INTERESTS OF THIS  
 COMPANY.



THIS DRAWING IS PROPERTY OF  
 SCHOLD MACHINE  
 AND IS SUBJECT TO RETURN UPON  
 REQUEST. IT IS TO BE USED ONLY FOR THE  
 PURPOSES FOR WHICH IT WAS LOANED  
 AND NOT TO BE USED IN ANY WAY  
 DETRIMENTAL TO THE INTERESTS OF THIS  
 COMPANY.

DO NOT SCALE DRAWING  
 BREAK ALL SHARP CORNERS UNLESS OTHERWISE SPECIFIED  
 COUNTERSINK ALL TAPPED HOLES IN FINISHED SURFACES

SCALE:	1/16"=1"	LIMITS OF TWO PLACE DECIMALS ARE	SIMILAR TO:
		+0.010 UNLESS OTHERWISE SPECIFIED	
DATE:	4-28-06	APPROVED BY:	DRAWN BY: AM
		<b>SCHOLD MACHINE</b> MIDWEST FACILITY CHICAGO, ILL.	
		GENERAL LAYOUT	
		60 GALLON SHOT MILL	B4798-2
			C

SHOTMILL\60GAL\JOB\8109\GEN