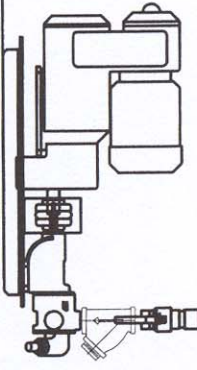
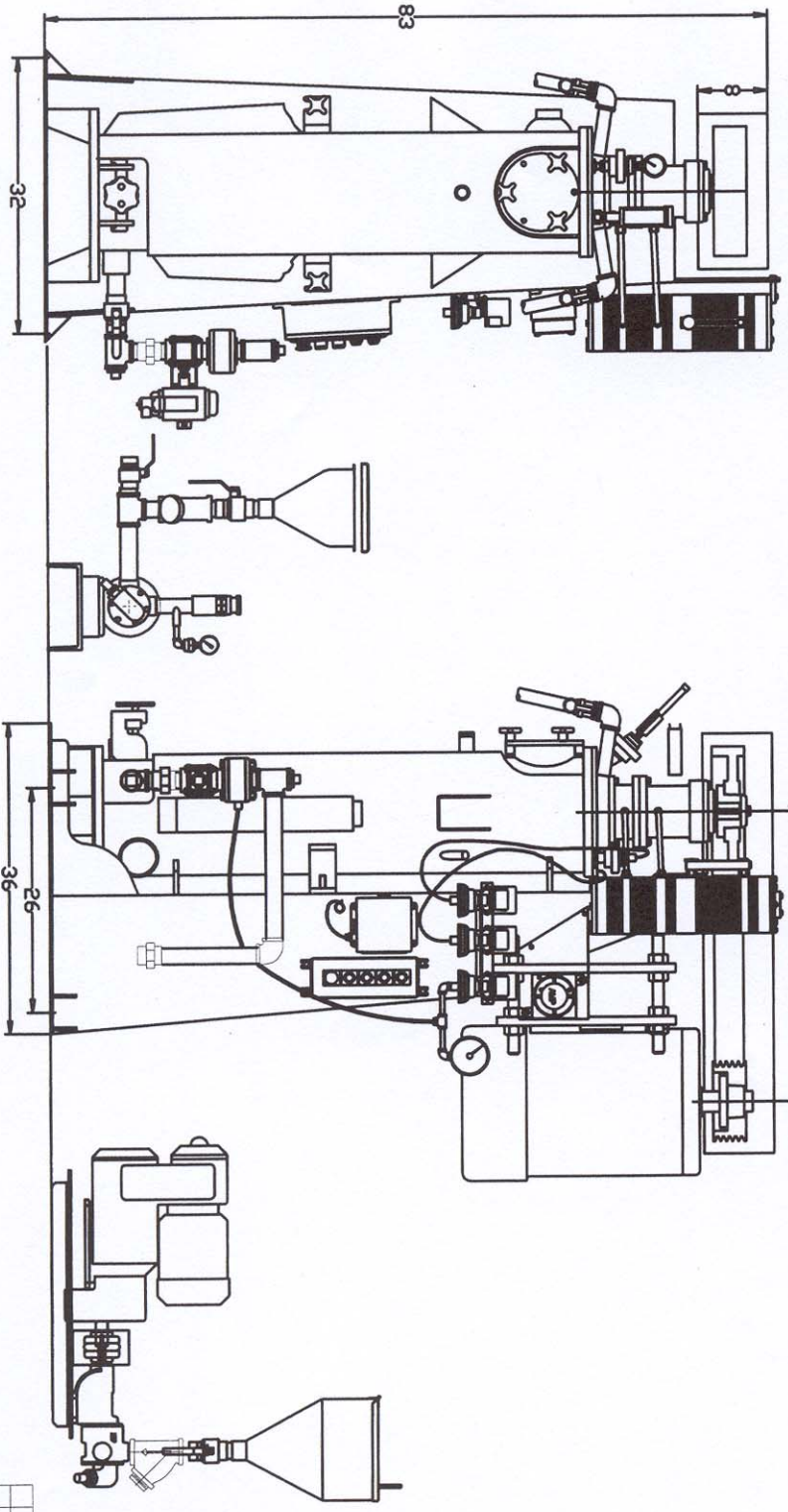
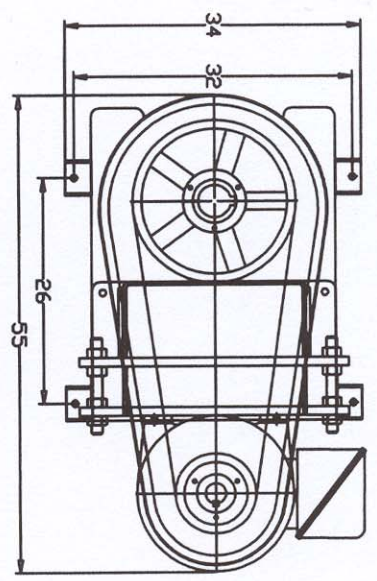
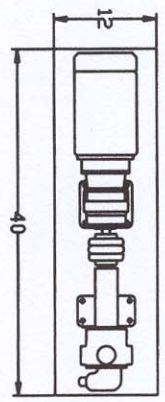



THIS DRAWING IS PROPERTY OF
 SCHOLD MACHINE
 AND IS SUBJECT TO RETURN UPON
 REQUEST. IT IS TO BE USED ONLY FOR THE
 PURPOSES FOR WHICH IT WAS LOANED
 AND NOT TO BE USED IN ANY WAY
 DETRIMENTAL TO THE INTERESTS OF THIS
 COMPANY.



THIS DRAWING IS PROPERTY OF
 SCHOLD MACHINE
 AND IS SUBJECT TO RETURN UPON
 REQUEST. IT IS TO BE USED ONLY FOR THE
 PURPOSES FOR WHICH IT WAS LOANED
 AND NOT TO BE USED IN ANY WAY
 DETRIMENTAL TO THE INTERESTS OF THIS
 COMPANY.

DO NOT SCALE DRAWING
 BREAK ALL SHARP CORNERS UNLESS OTHERWISE SPECIFIED
 COUNTERSINK ALL TAPPED HOLES IN FINISHED SURFACES

SCALE:	LIMITS OF TWO PLACE DECIMALS ARE	SIMILAR TO:
1/16"=1	+1/64 UNLESS OTHERWISE SPECIFIED	
DATE: 6-7-00	APPROVED BY:	DRAWN BY: AM
 SCHOLD MACHINE MIDWEST FACILITY CHICAGO, ILL.		
GENERAL LAYOUT		
SIZE	12" - 25 GALLON SHOT MILL	A8210-2
C		REV
SHOWERT/25GAL/GEN/GEN_ROUND		