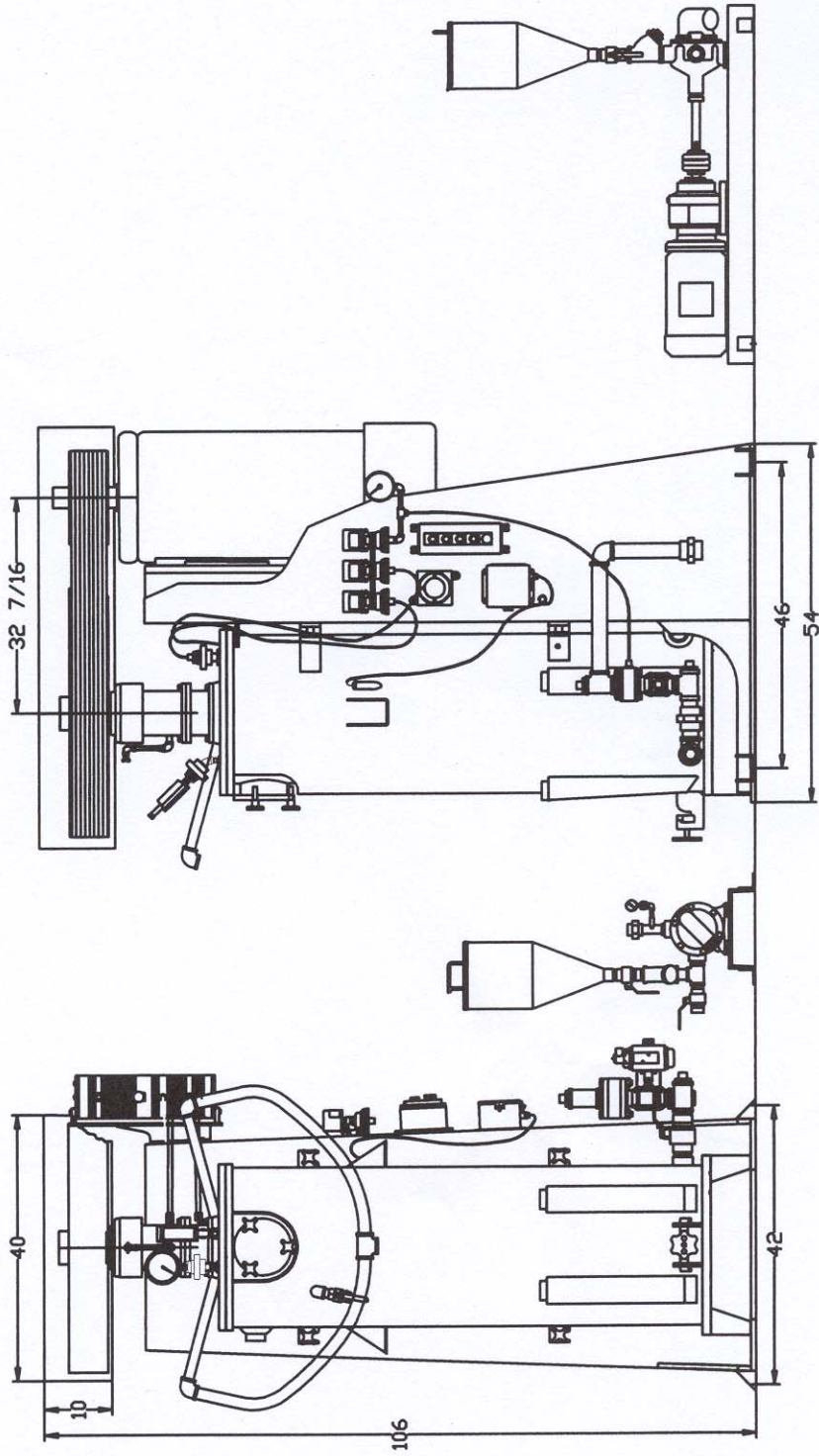
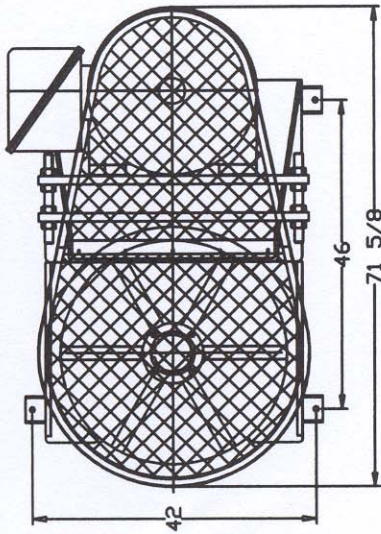
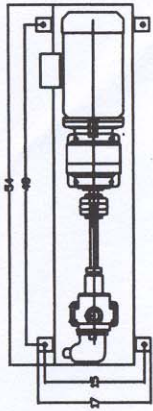



THIS DRAWING IS PROPERTY OF  
 SCHOLD MACHINE  
 AND IS SUBJECT TO RETURN UPON  
 REQUEST. IT IS TO BE USED ONLY FOR THE  
 PURPOSES INTENDED AND NOT TO BE USED IN ANY WAY  
 THAT IS DETRIMENTAL TO THE INTERESTS OF THIS  
 COMPANY.



THIS DRAWING IS PROPERTY OF  
 SCHOLD MACHINE  
 AND IS SUBJECT TO RETURN UPON  
 REQUEST. IT IS TO BE USED ONLY FOR THE  
 PURPOSES INTENDED AND NOT TO BE USED IN ANY WAY  
 THAT IS DETRIMENTAL TO THE INTERESTS OF THIS  
 COMPANY.

DO NOT SCALE DRAWING  
 BREAK ALL SHARP EDGES  
 COUNTERSINK ALL TAPPED HOLES IN FINISHED SURFACES

SCALE: 1/8=1	LIMITS OF TWO PLACE DECIMALS ARE ±.010 FRACTIONAL LIMITS ARE ±1/64 UNLESS OTHERWISE SPECIFIED	SIMILAR TO:
DATE: 7-2-96	APPROVED BY:	DRAWN BY: AM
 <b>SCHOLD MACHINE</b> MIDWEST FACILITY CHICAGO, IL		
GENERAL LAYOUT		
100 GALLON SHOT MILL		B4801-R
SHOTVERT\100CAL\GEN		C